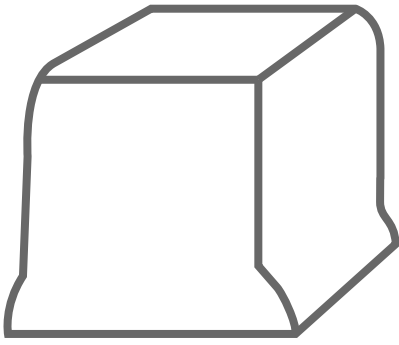




Ice Cuber Machine

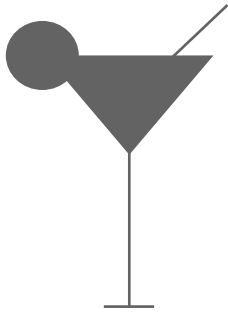


Medium Cube

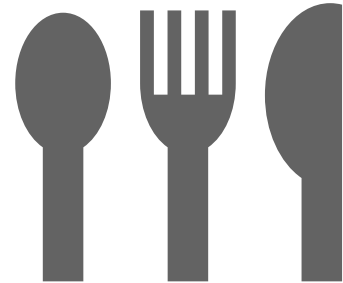
Cube ice is transparent solid ice in shape of square dice with a dimension of [22*22*22mm](#) or [29*29*22mm](#). Good looking, odorless, premium beverage companion. We can tailor make for any other specified dimensions.

Application

The popular cube ice never goes out of style and is perfect for any application or occasion. Long-lasting cube ice is the right choice for a wide variety of uses. Perfect for any restaurant, bar, hotel, motel, convenience store and health-care facility etc.



BAR



RESTAURANT



COFFEE





We manufacture a full range of modular type cube ice machines which is designed for extremely simple operation and maintenance, with a commitment to reliability. Think of our cube ice machines as your silent partner, working 24 hours to provide high volumes of crystal-clear ice. These ice maker machines produce the purest ice with the cleanest taste while saving time and energy which is important for any business.

FEATURES

- Produce crystal clear ice cubes.
- Resistant stainless steel construction.
- Equips with big ice storage bin.
- Advanced diagnostics computerized control.
- 24/7 consistent problem-free ice production.
- Available with air/water-cooled condensers.
- Durable electroless nickel plating on all evaporator.
- 18 months manufacturer warranty.
- Low working noise.
- Stable and reliable performance.
- CFC-free R404a Refrigerant
- CE certified. Quality guaranteed.
- Protection against phase deficiency, water shortage, full bin.

Model:	CM065	CM066
Capacity (24 hrs):	900 kgs / 1980 lbs	1000 kgs / 2200 lbs
Storage:	460 kgs / 1000 lbs	460 kgs / 1000 lbs
Ice grid:	684 PCS	684 PCS
Power (W):	4000 W	4750 W
Refrigerant:	R404a /R22	R404a /R22
Condensation:	Air/water-cooled	Air/water-cooled
Power Supply:	380V-3P-50Hz	380V-3P-50Hz
Machine:	133×82×88 cm	133×82×88 cm
Bin:	133×108×132 cm	133×108×132 cm
Gross weight:	320 kgs/705 lbs	337 kg/740 lbs
Compressor:	Tecumseh	Tecumseh

Component

Tecumseh



Water condenser



Morrill pump



Danfoss expansion valve



Ebmpapst fan



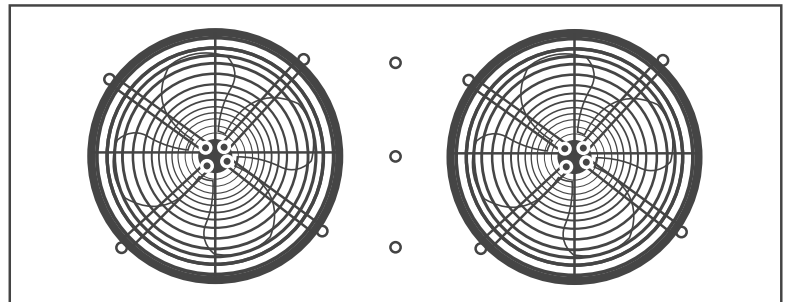
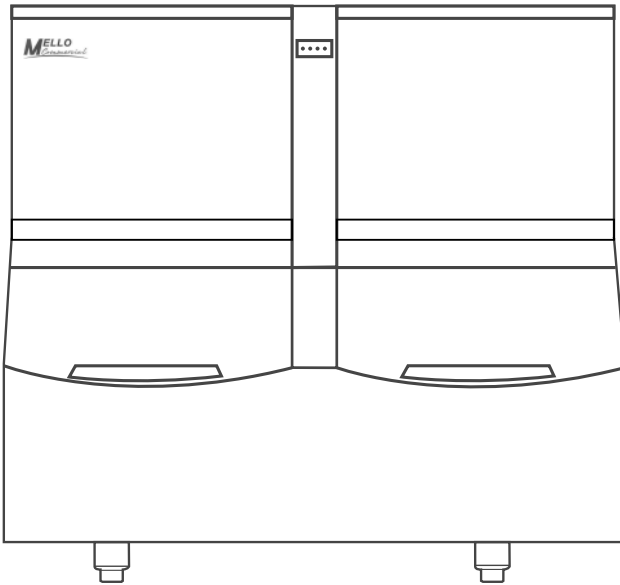
Nickel-plated evaporator



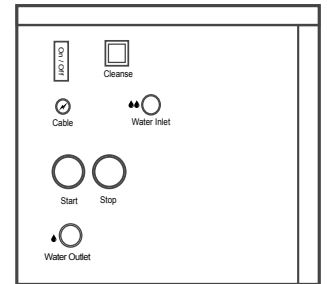
Saginomiya hydraulic valve



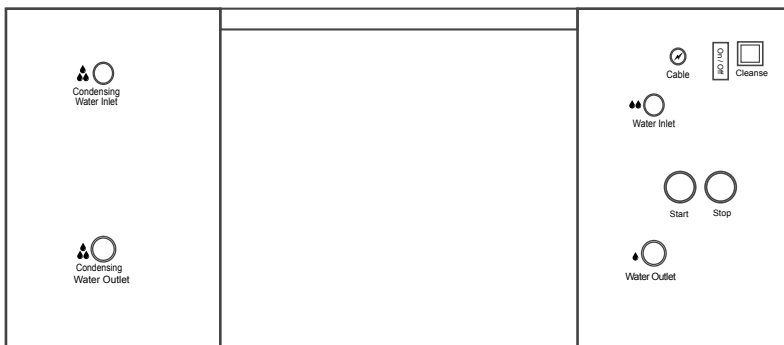
Design Drawing



Air-cooled model rear view



Air-cooled model side view



Water-cooled model rear view

Operating Requirements

	Minimum	Maximum
Air Temperatures	50°F (10°C)	100°F (38°C)
Water Temperatures	40°F (4.4°C)	100°F (38°C)
Water Pressures	20 PSIG (1.4 bar)	120 PSIG (8.3 bar)
Electrical Voltage	-10%	+10%